

OCEANSLED® SERIES

TRANSPORTER

Part of Shift's autonomous surface vessel OceanSled® series, the Transporter is the perfect lightweight solution for rapid deployment. It is incredibly user-friendly, allowing for quick setup and seamless launch into the water. With just two individuals, you can easily carry Shift's Transporter to the shore. The vessel offers a diverse range of payload options, accommodating weights of up to 400 pounds. It stands out as our most cost-effective model, delivering exceptional value for your investment.



KEY BENEFITS

- ✔ **AFFORDABLE AND ADAPTABLE:** The Transporter enables materiel transport and data collection in nearshore environments in a compact cost efficient open package, providing valuable logistics support and intelligence capabilities suitable for a variety of maritime applications.
- ✔ **OPERATES IN HIGH-RISK AREAS:** The OceanSled® can operate without human intervention, reducing the risks associated with crewed missions and allowing for extended and continuous operations.
- ✔ **MINIMAL PERSONNEL REQUIREMENTS:** The OceanSled® is designed for rapid deployment, making it highly responsive to emerging situations and data collection needs. Its quick turnaround from trailer to operational readiness can be performed by a single operator.

FEATURES

- Long range antennae
- Dual thrusters
- Tilt-stabilized fpv camera
- LiFePo4 Battery
- Handheld controller with FPV videolink

APPLICATIONS

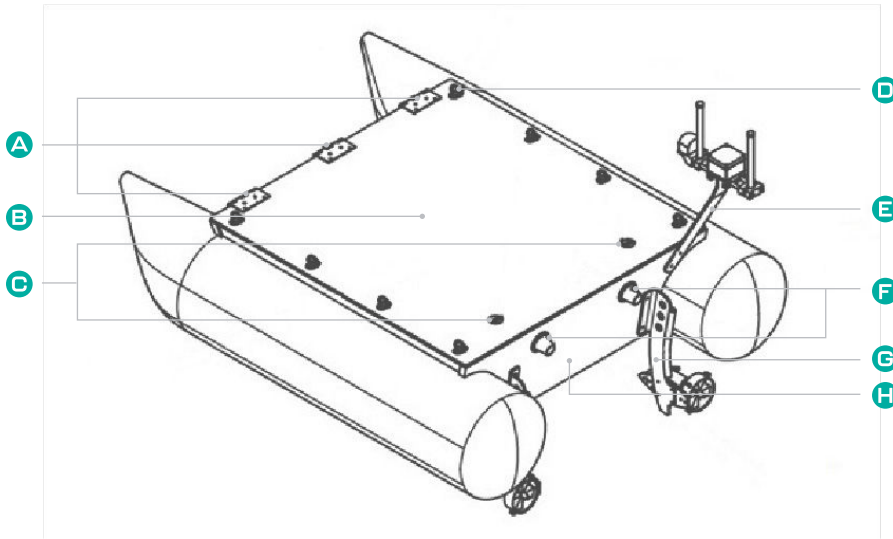
- Maritime Security
- Material and Equipment Transport
- Spill Response
- Debris & Shoreline Restoration
- Debris Removal

UPGRADES

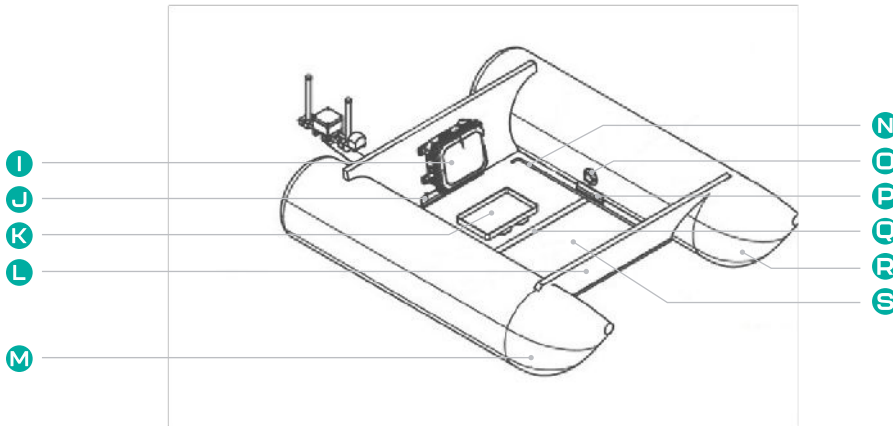
- PTZ Camera with IR option
- Side-Scan Sonar
- Overboard Camera
- Cargo Net
- Debris Catcher, Supersack
- Rapid Deployable Spill Boom

CONTINUED ON BACK SIDE

COMPONENTS



- A** Deck Lid Hinges
- B** Deck Lid
- C** Deck Latches
- D** D-Ring Tie Downs
- E** Mast
- F** Cable Boots
- G** Thruster Skeg (Port/STBD)
- H** Transom
- I** Control Box
- J** Rubber Hold-Down (Fore/AFT)
- K** Battery Tray
- L** Bow Plate
- M** Starboard Tube
- N** Prop Rod
- O** Filler Valve
- P** Rubber Hold-Down (Port/STBD)
- Q** Floor Plate Tie
- R** Port Tube
- S** Floor Plate (Fore/AFT)



PRODUCT SPECS

PHYSICAL

Length Overall	1.8 m (6')
Beam (width)	1.5 m (5')
Height	1 m (3'5")
Deck Area	1.4 m ² (15 ft ²)
Draft (skeg)	25 cm (10")
Displacement (weight)	56 kg (123 lbs) + 15 kg per battery
Max Speed	4 knots (7.4 km/h)
Operations Speed	2 knots (3.7 km/h)
Payload	181 kg (400 lbs)

OPERATIONAL

Operational Runtime	1 battery: 9 hrs
	2 batteries: 18 hrs
	3 batteries: 27 hrs
Operational Range (per battery)	33 kms (20 mi)